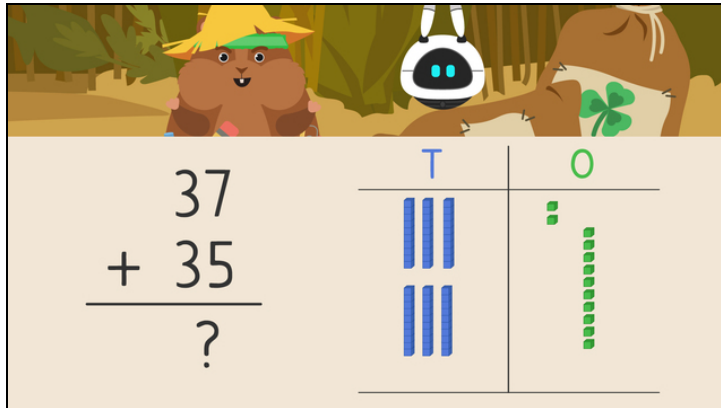


Worksheets to print out from [sofatutor.com](https://www.sofatutor.com)

# Using Place Value to Add Two Digit Numbers (Regrouping)



- 1 Which group of base ten blocks represents  $33 + 19$ ?
- 2 How do you use place value regrouping to add two digit numbers?
- 3 Add  $22 + 19$  using place value.
- 4 Solve the problem using place value regrouping.
- 5 Solve  $48 + 22$  using place value regrouping.
- 6 Find the sum of each problem.
- + with many hints, answer keys, and solution approaches for all tasks



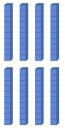

The complete package, including all tasks, hints, solutions, and solution approaches, is available to all subscribers of [sofatutor.com](https://www.sofatutor.com)

## Which group of base ten blocks represents $33 + 19$ ?

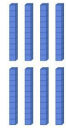

Select the best choice.

$$33 + 19 = ?$$



**A**

T	O
	



**B**

T	O
	

**C**

T	O
	

**D**

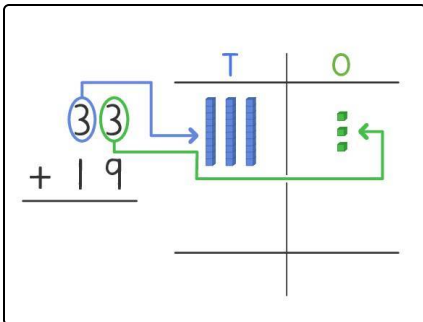
T	O
	

## Our hints for the tasks

1  
from 6

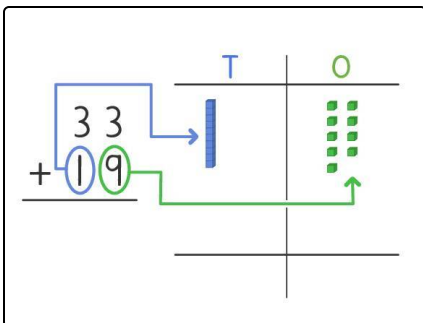
### Which group of base ten blocks represents $33 + 19$ ?

#### 1. Hint



How many **tens** are in 33?  
How many **ones** are in 33?

#### 2. Hint



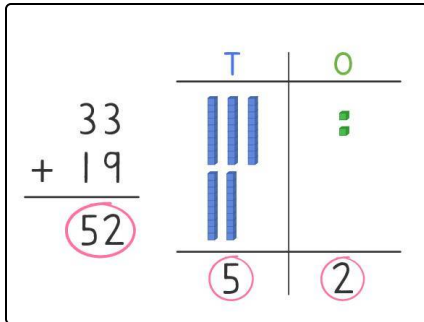
How many **tens** are in 19?  
How many **ones** are in 19?

## Solutions and solution approaches for the tasks

1  
from 6

Which group of base ten blocks represents  $33 + 19$ ?

Answer key: C



This group of base ten blocks represents  $33 + 19$ .